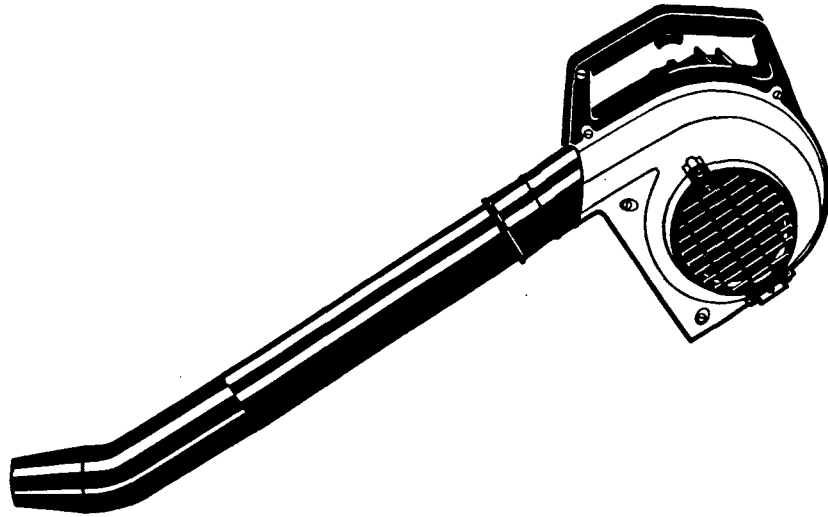


TITAN PB2510

16400048-24

P/N 211620

*OKAY
23-3-96*

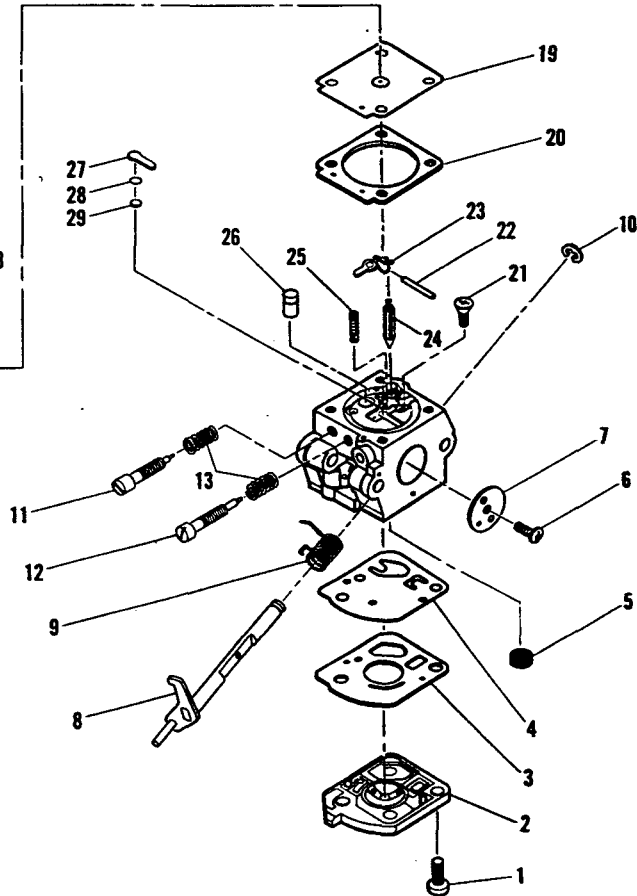
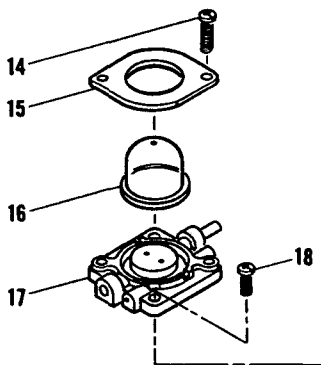


DECEMBER 1994

McCULLOCH.

© U.S.A. • McCulloch Corporation, 1994 • Printed in U.S.A.

1

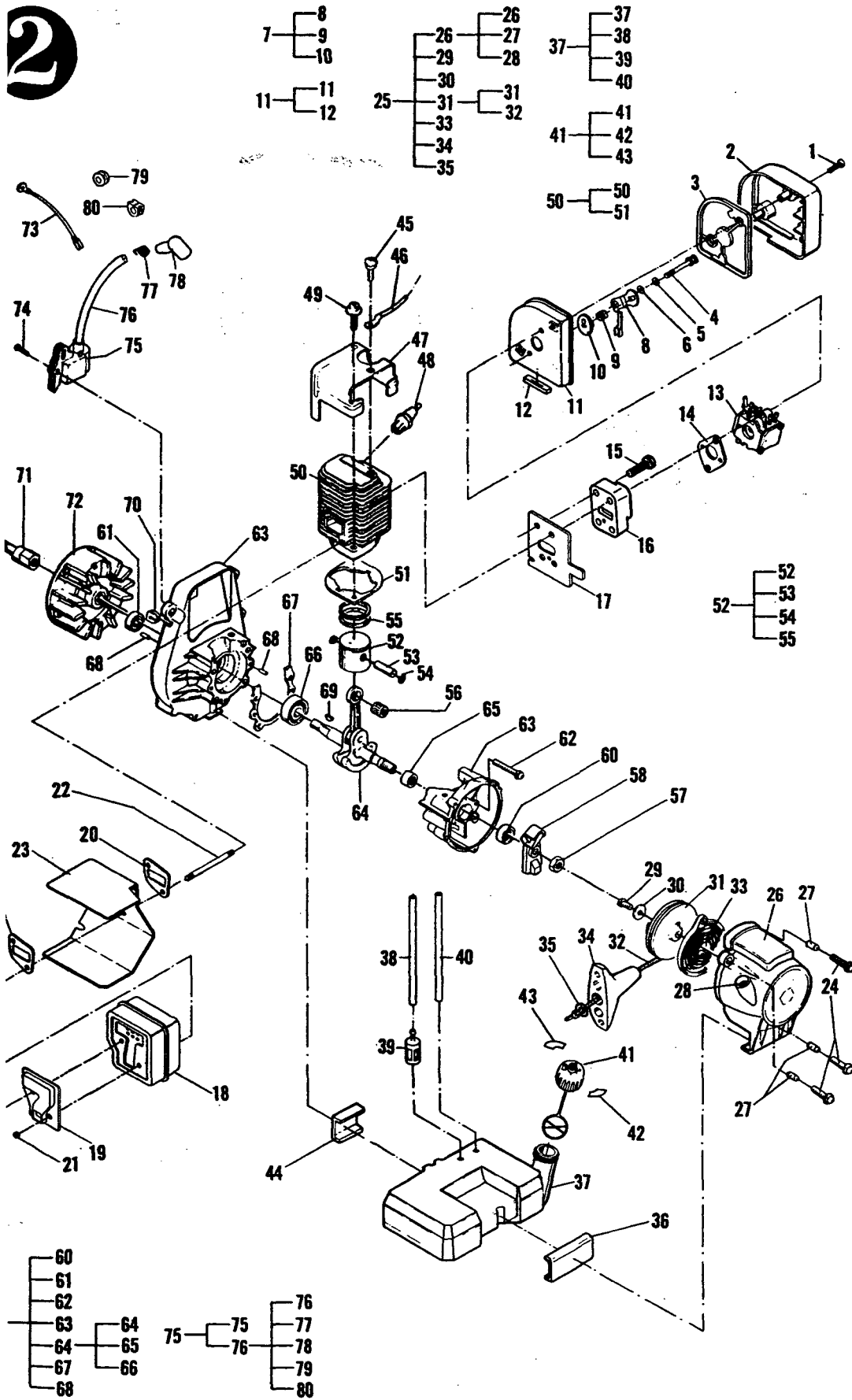


224143-01 Zama M2TB

1		2
2		T
3	⊗	T
4	⊗	T
5	⊙	T
6		T
7		T
8		T
9		T
10		T
11	⊙	T
12	⊙	T
13	⊙	2
14		2
15		T
16	223756	T
17		T
18		2
19	⊗	T
20	⊗	T
21		T
22	⊙	T
23	⊙	T
24	⊙	T
25	⊙	T
26	⊙	T
27	⊙	T
28		T
29		T

⊙ 300465
⊗ 300472

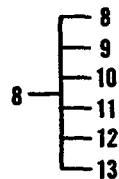
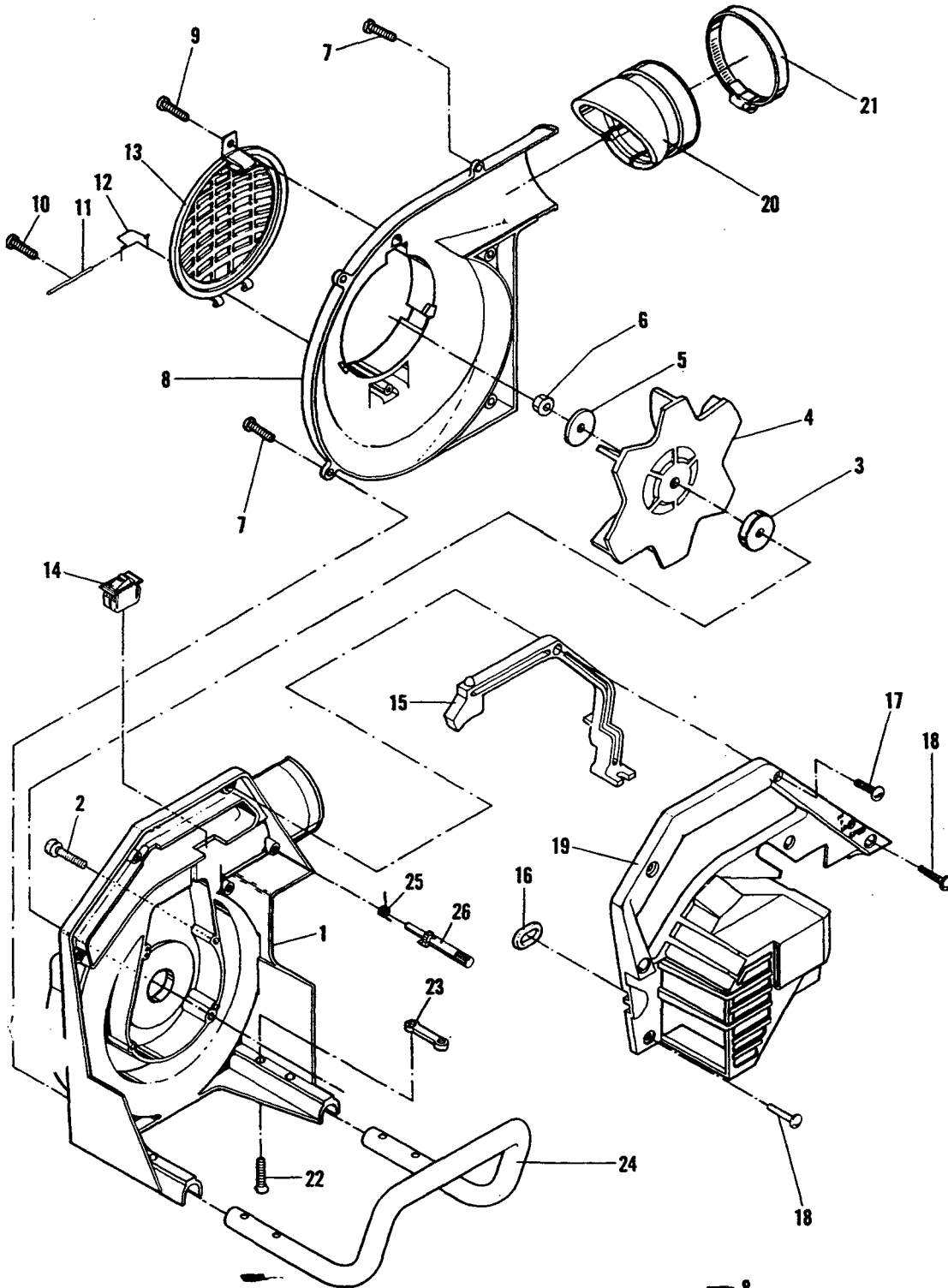
2



1	217669	2
2	215988	1
3	217376	1
4	235244	2
5	216591	1
6	215993	1
7	223730	1
8	---	1
9	. 219016	1
10	---	1
11	216108	1
12	. 215992	1
13	FIGURE 1	
14	224148	1
15	111063	2
16	323323	1
17	323592	1
18	322011	1
19	322019	1
20	215515	2
21	235642	2
22	222480	2
23	218652-01	1
24	213177	3
25	224111	1
26	. 224110	1
27	. 219585	3
28	. 218932	1
29	. 215874	1
30	. 216590	1
31	. 301252	1
32	. 216093	1
33	. 300474	1
34	. 218941	1
35	. 216792	1
36	217390	1
37	219901	1
38	. 225162	1
39	. 216985	1
40	. 219897	1
41	300700	1
42	. 211242	1
43	. 322250	1
44	217382	1
45	213178	1
46	218649	1
47	301746	1
48	93018	1
49	217320	2
50	225059-01	1
51	. 223925	1
52	301317	1
53	. 223589	1
54	. 111026	2
55	. 301399	1
56	- 110984 -	1
57	216583	1
58	225037	1
59	301203	1
60	. 83859	1
61	. 216500	1
62	. 216027	4
63	. 301153	1
64	. 301273	1
65	. 213282	1
66	. 216143	1
67	. 215545	1
68	. 213191	4
69	102164	1
70	215541	1
71	218654	1
72	222308	1
73	219383	1
74	216022	2
75	219848-01	1
76	. 223884	1
77	. 95266	1
78	. 102556	1
79 ①	. 110995	1
80 ①	. 215533-01	1

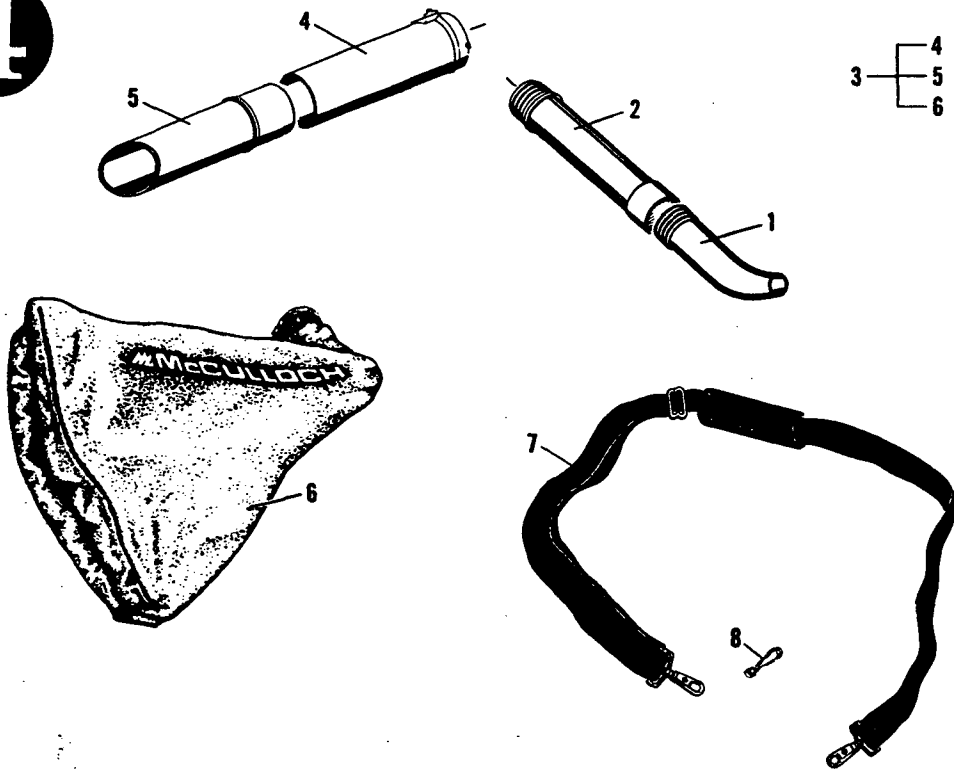
① 79 80
NOT USED

3



1	323221	1
2	216022	4
3	218655	1
4	218518	1
5	218656	1
6	213169	1
7	218644	5
8	301500	1
9	216389	1
10	218643	1
11	218538	1
12	218539	1
13	218939	1
14	223241	1
15	323539	1
16	218667	2
17	219954	1
18	218644	5
19	323223	1
20	219174	1
21	219172	1
22	218947	4
23	322962	2
24	218545	1
25	219187	1
26	219188	1

4



1	219179	1
2	219173-01	1
3	301480	1
4	.223798	1
5	.223799	1
6	.218660-02	1
7	218666	1
8	218938	1



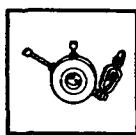
● 4	235244	2.8 - 3.4 N.m
● 21	235642	4.5 - 5.6 N.m
● 22	222480	4.5 - 5.6 N.m
● 48	93018	12.4 - 13.6 N.m
● 49	217320	7.9 - 9 N.m
● 57	216583	17 - 19.2 N.m
● 62	216027	5.1 - 5.6 N.m
● 74	216022	3.4 - 4 N.m
● 2	216022	4.5 - 5.6 N.m
● 6	213169	10.1 - 11.3 N.m



91424



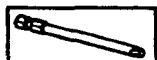
215432



323330



222785
T25



111124
T27



217720



323754
T8 - T27

LOCTITE®

● 22	222480	620
● 62	216027	242
● 74	216022	242
● 2	216022	242



322235-01	
.322236	620 (10ml)
.322237	242 (10ml)
.322238	518 (50ml)
.322239	380 (30ml)
.323749	262 (10ml)
.323762	767 (30ml)